



DMD7W

QUICK START GUIDE

Dash Mount 7" Touchscreen Monitor with Wireless Apple® and Android™



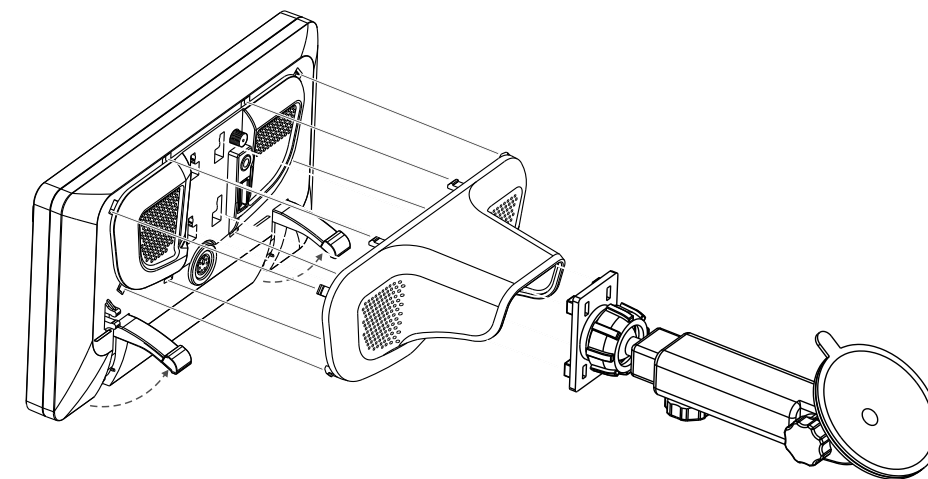
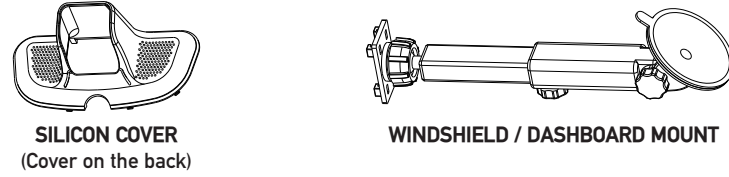
This Quick Start Guide gives you the basics to start using your DMD7W. Please visit www.dualav.com to download a complete owner's manual or call customer service at 1-866-382-5476 (Monday-Friday, 9AM-5PM EST).



Customer Service Toll Free: 1-866-382-5476

Installation

Before You Start
 • Avoid installing the unit where it would be subject to high temperatures from direct sunlight, dust, dirt or excessive vibration.



Control Locations



The radio display features the following functions and displays:

- | | |
|--------------|---------------------------|
| ① Power/mute | ③ Voice activation button |
| ② Dimmer | ④ Internal microphone |

USB Operation

From the main menu, touch the USB icon on the main screen.



- ① Main Menu
- ② Current Mode Indicator
- ③ EQ
- ④ List
- ⑤ Random
- ⑥ Track Up
- ⑦ Play/Pause
- ⑧ Track Down
- ⑨ Repeat

Bluetooth Operation

Before using Bluetooth
 Before you can use a Bluetooth device to make hands-free calls or stream audio, it must be authenticated. This is also referred to as "pairing" a device.

[Note]
 To connect wireless Apple and Android device after installing the On-Dash product in your vehicle, you must disable the Bluetooth connection between your phone and the existing vehicle's head unit. Additionally, the phone you want to connect to connect to wireless Apple and Android device must not be connected to any other devices via Bluetooth.

Pairing a New Device
 The unit broadcasts the pairing signal constantly when no devices are currently connected. Complete the pairing sequence from your Bluetooth device. Refer to the owner's manual for your device for more details. **The device name is "DMD7W".** The unit can be in any mode of operation when pairing is performed. On certain phones, pairing may need to be done more than once.

Connect
 The head unit will automatically connect to the last connected device when the connect feature is set to Auto connect On. If the connect feature is set to Auto Connect Off, the head unit will not automatically connect to any device.

Bluetooth Phone
 From the main menu, touch the **Bluetooth** on the screen. Bluetooth icon will appear anytime a Bluetooth device is connected.

Dialing a Number
 Press to display keypad and dial a number.

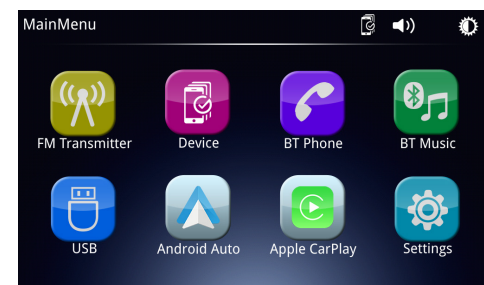
Making and Ending a Call
 Press to connect a call, and press to end a call.

Transferring Audio
 Press to transfer audio between the head unit and mobile phone.

Streaming Audio
 Press to play or pause the music.

Press to skip to the previous track.
 Press to advance to the next track.

Main Menu

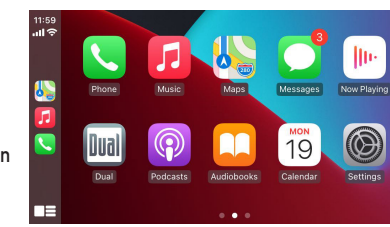


In main menu, press the desired icon to enter the corresponding mode: FM Transmitter/Device/BT Phone/BT Music/USB/Android/Apple/Settings.

Wired & Wireless Apple Operation

Wired connection
 1. Connect an Apple compatible device to this unit via USB.
 2. Press the Apple icon.
 The Apple home screen appears.

Wireless connection
 Before using Apple wirelessly, turn on the Bluetooth/Wifi function on the Phone.
 1. Press on the main menu.
 2. Press to confirm to use wireless Apple;
 3. Press to search phone device. The available devices appear on the list;
 4. Find the desired device on the screen and press "Pair";
 5. A pass key will be displayed on the screen;
 6. The same key appears on the phone, press "Pair" and then press "Allow" for the popups;
 7. Press on the screen to confirm to connect;
 8. Press "Use CarPlay" on the phone. The unit configures the connection then starts the application.
Tip: Press icon. Displays Apple device list. This icon appears Only When Apple is connected and two or more devices can be used as Apple Source.



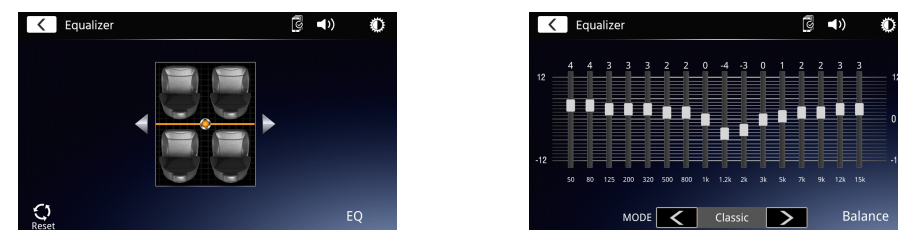
FM Transmitter



- ① Main Menu
- ② Current Mode Indicator
- ③ Seek Tune Up
- ④ Seek Tune Down
- ⑤ Preset Stations
- ⑥ FM Transmitter On/Off
- ⑦ Keypad

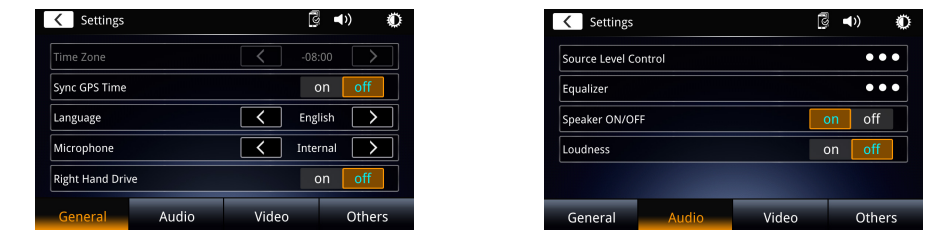
Audio Operation

Press the "Settings" icon on the main menu screen to adjust the Balance and Equalizer controls (16-Band Tone Control and 8 Presets EQ Settings).



General Operation

From the Main Menu screen, select Setup to access the Settings menu and select from categories represented by the icons on the bottom of the screen: General, Audio, Display, Others. Select the category, and adjust any of the available options using the touch screen.



Limited One Year* Warranty

This warranty gives you specific legal rights. You may also have other rights which vary from state to state. Dual Electronics Corp. Inc warrants this product to the original purchaser to be free from defects in material and workmanship for a period of one year from the date of the original purchase. Dual Electronics Corp. Inc agrees, at our option, during the warranty period, to repair any defect in material or workmanship or to furnish an equal new, renewed, or comparable product (whichever is deemed necessary) in exchange without charges, subject to verification of the defect or malfunction and proof of the date of purchase. Subsequent replacement products are warranted for the balance of the original warranty period. What is covered? This warranty covers all defects in the material and workmanship in this product. The following are not covered: software, installation/removal costs, damage resulting from accident, misuse, abuse, neglect, product modification, improper installation, incorrect line voltage, unauthorized repair, or failure to follow instructions supplied with the product, or damage occurring during return shipment of the product. Specific license conditions and copyright notices for the software can be found via www.dualav.com.

Warranty Coverage
 * Limited 1-year warranty. (Proof of purchase required)
 Extend your warranty from 1 year to 2 years when you register online at www.dualav.com.

What to do?
 1. Before you call for service, check the troubleshooting guide in your owner's manual. A slight adjustment of any custom controls may save you a service call.
 2. If you require service during the warranty period, you must carefully pack the product (preferably in the original package) and ship it by prepaid transportation with a copy of the original receipt from the retailer to an authorized service center.
 3. Please describe your problem in writing and include your name, a return UPS shipping address (P.O. Box not acceptable), and a daytime phone number with your shipment.
 4. For more information and for the location of the nearest authorized service center please contact us by one of the following methods:
 • Call us toll-free at (866) 382-5476 (Monday-Friday, 9:00 am. to 5:00 pm. EST)
 • E-mail us at cs@dualav.com

Exclusion of Certain Damages: This warranty is exclusive and in lieu of any and all other warranties, expressed or implied, including without limitation the implied warranties of merchantability and fitness for a particular purpose and any obligation, liability, right, claim or remedy in contract or tort, whether or not arising from the company's negligence, actual or imputed. No person or representative is authorized to assume for the company any other liability in connection with the sale of this product. In no event shall the company be liable for indirect, incidental, or consequential damages.

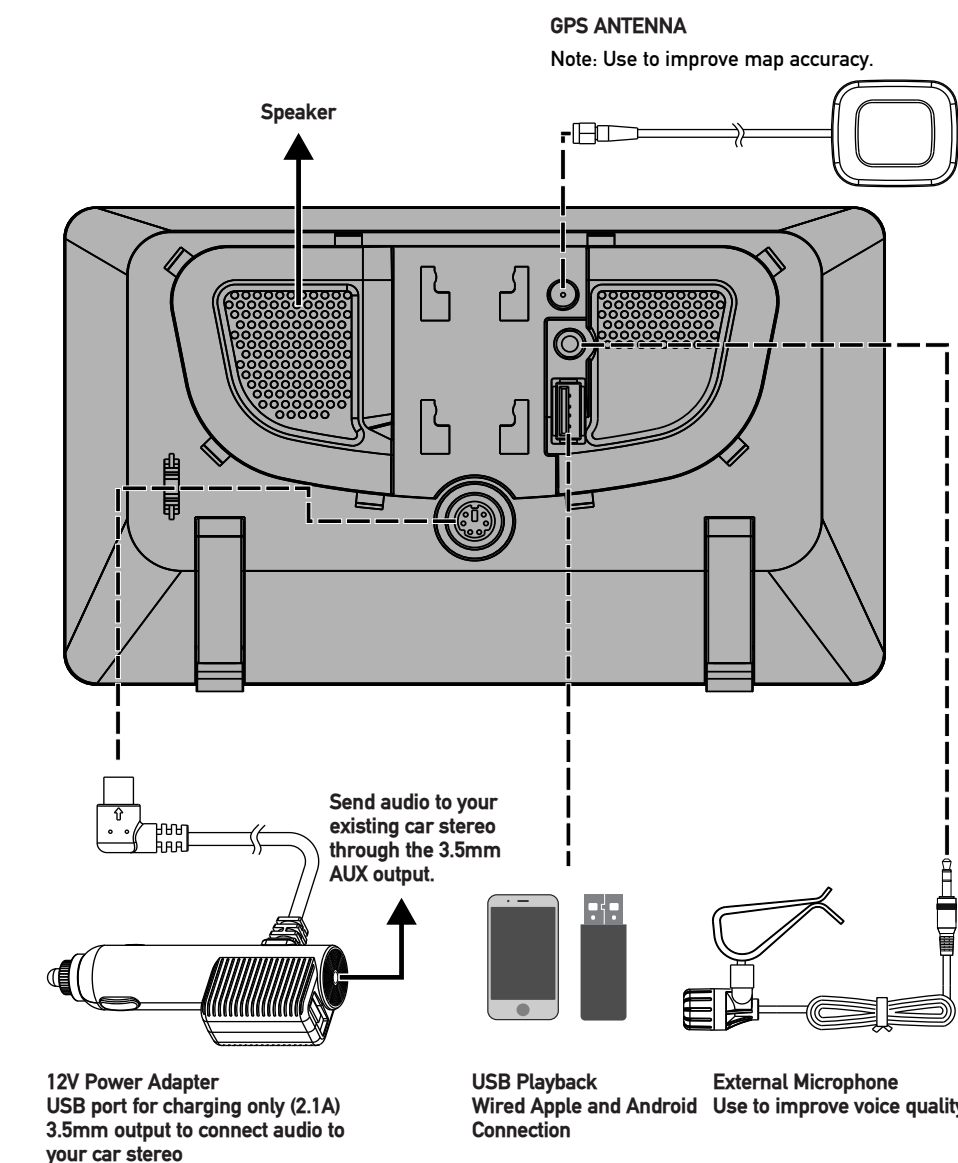
FCC Compliance

This device complies with Part 15 of the FCC Rules. Operation is subject to the following two conditions:
 (1) this device may not cause harmful interference, and
 (2) this device must accept any interference received, including interference that may cause undesired operation.

Warning: Changes or modifications to this unit not expressly approved by the party responsible for compliance could void the user's authority to operate the equipment.

Note: This equipment has been tested and found to comply with the limits for a Class B digital device, pursuant to Part 15 of the FCC Rules. These limits are designed to provide reasonable protection against harmful interference in a residential installation. This equipment generates, uses and can radiate radio frequency energy and, if not installed and used in accordance with the instructions, may cause harmful interference to radio communications. However, there is no guarantee that interference will not occur in a particular installation. If this equipment does cause harmful interference to radio or television reception, which can be determined by turning the equipment off and on, the user is encouraged to try to correct the interference by one or more of the following measures:
 • Reorient or relocate the receiving antenna.
 • Increase the separation between the equipment and receiver.
 • Connect the equipment into an outlet on a circuit different from that to which the receiver is connected.
 • Consult the dealer or an experienced radio/TV technician for help.

Wiring Diagram - Inputs/Outputs



12V Power Adapter
 USB port for charging only (2.1A)
 3.5mm output to connect audio to your car stereo

USB Playback
 Wired Apple and Android Connection

External Microphone
 Use to improve voice quality.